

REMOVAL / REFITTING : ANCILLARY DRIVE BELT :

DV4TD TURBO DIESEL

URGENT : Observe the safety and cleanliness instructions .

1. Recommended tools

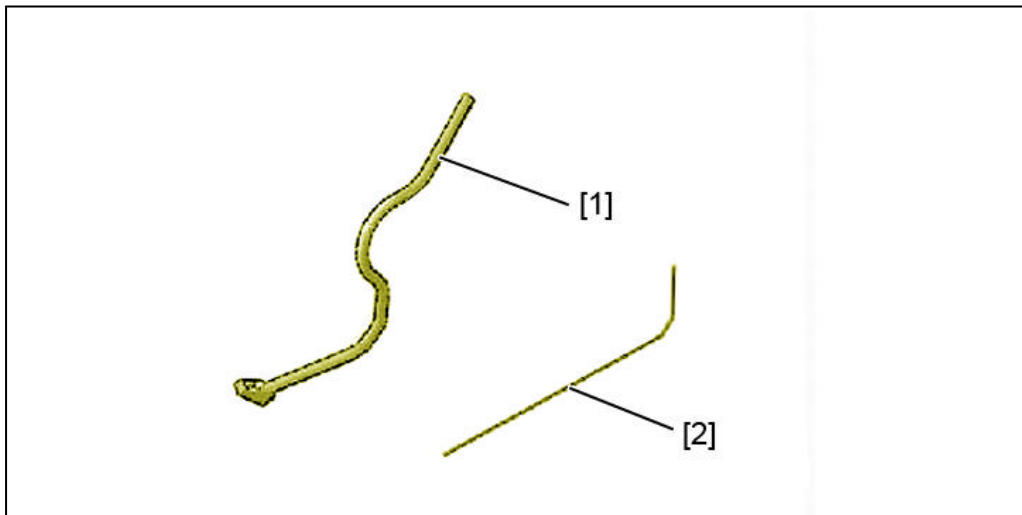


Figure : E5AP34WD

[1] Dynamic tensioner compression lever (-).0194-E3 .

[2] Compression pin of the dynamic tensioner (-).0194-F .

2. Dynamic tensioner roller

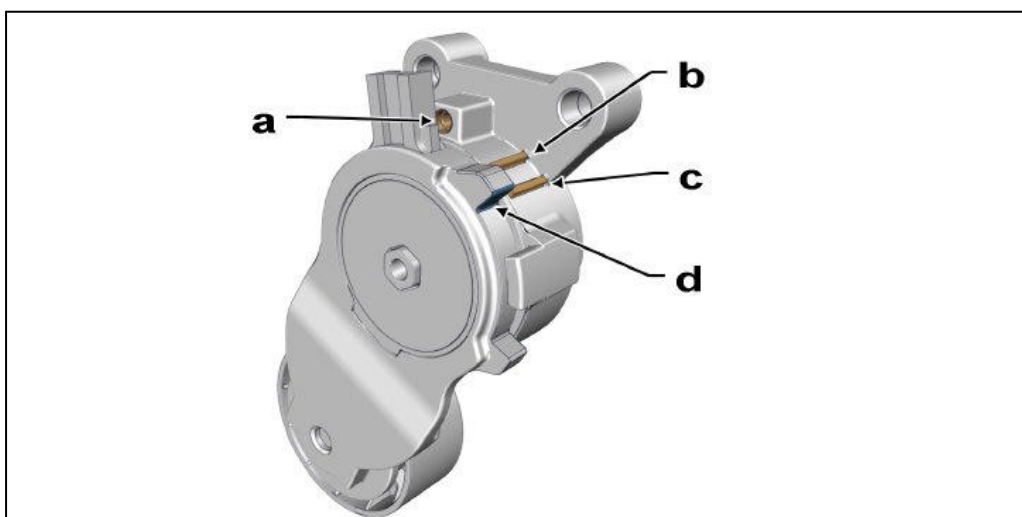


Figure : B1BM02ZD

"a" Setting hole .

"b" Maximum extension mark .

"c" Zero extension mark .

"d" Belt extension checking mark (fixed on engine) .

This marking system permits checking of the extension of the ancillary drive belt .

CAUTION : If marks "b" and "d" are aligned, it must be replaced .

3. Removal

Visually check the extension of the ancillary drive belt on the dynamic tensioner .

If marks "b" and "d" are aligned, replace the ancillary drive belt .

CAUTION : If the belt is to be re-used mark the direction of rotation .

N.B. : After switching off the ignition, wait 15 minutes before disconnecting the battery (To ensure that the learning patterns of the various ECUs are stored in memory) .

Disconnect the battery .

Remove the engine style cover .

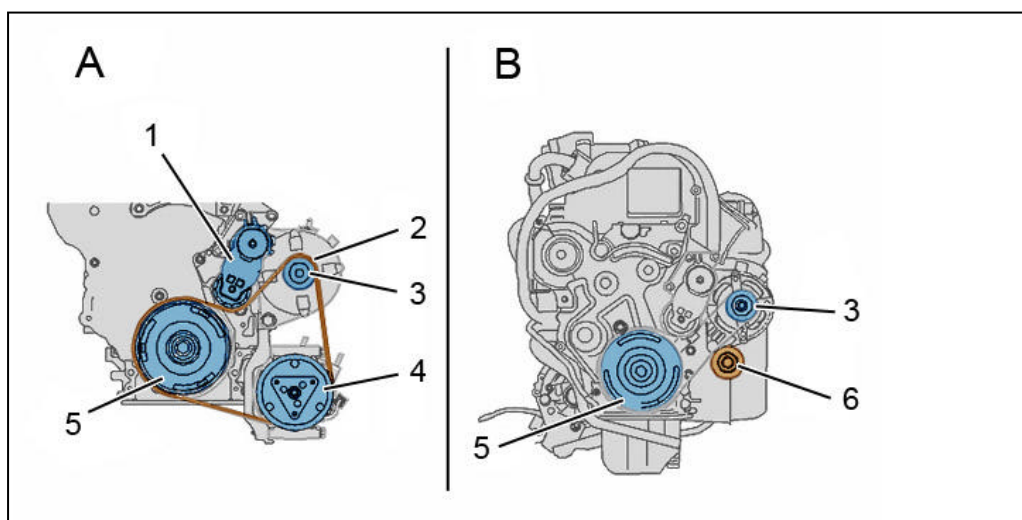


Figure : B1BPRXTD

A : Vehicle with air conditioning .

B : Vehicle without air conditioning .

- (1) Dynamic tensioner roller .
- (2) Ancillary drive belt .
- (3) Alternator pulley .
- (4) Air conditioning compressor pulley .
- (5) Ancillary drive belt pulley .
- (6) Roller tensioner .

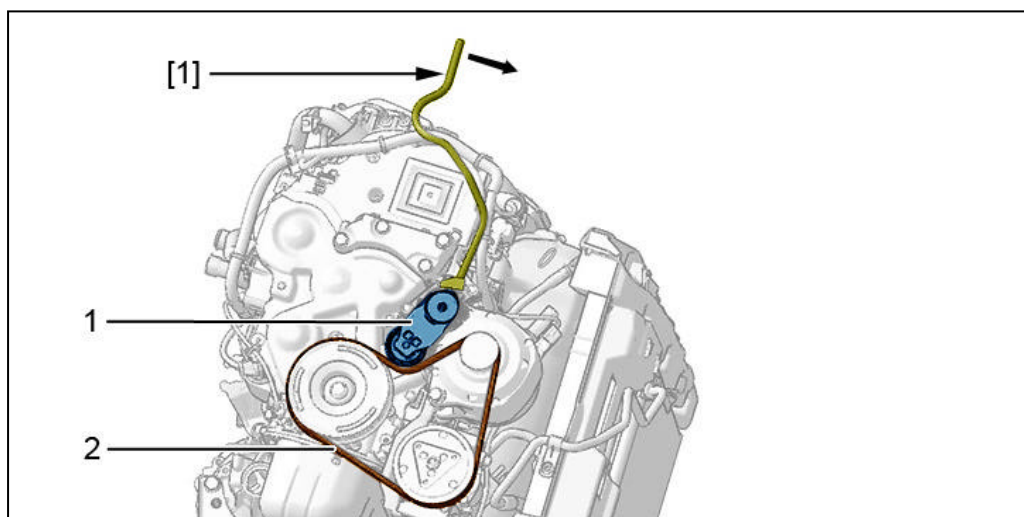


Figure : B1BPRXUD

Turn the tensioner roller (1) using the tool [1], until the setting rod [2] is located in the setting hole "a".
Remove the ancillary drive belt (2) .

CAUTION : Check that the roller (1) turns freely (no play or tight spot) .

CAUTION : Also check that the roller (1) is not noisy and/or that it does not project grease .

4. Refitting

When re-using the belt, refit it in the direction of rotation marked during removal .

CAUTION : Fit the ancillary drive belt, finishing with the dynamic tensioner roller (1) .

CAUTION : Ensure that the ancillary drive belt is positioned correctly in the grooves of the various pulleys .

Remove the tool [2] ; Using the tool [1] .

Continue the fitting operations in the reverse order to removal .

Turn the engine 4 revolutions ; Check the alignment of the ancillary drive belt .

The ancillary drive belt must be positioned correctly on the dynamic tensioner and in the pulley grooves .

Check that marks "b", "d" coincide .

Connect the battery .

Refit the engine style cover .