

REMOVAL - REFITTING : ALTERNATOR :

DV4TD TURBO DIESEL

URGENT : Observe the safety and cleanliness instructions .

1. Removal

1.1. Joint operations

Place the vehicle on a two-post ramp .

N.B. : After the ignition has been switched off : Wait 15 minutes before disconnecting the battery to ensure that the programmed values of the various ECUs are stored .

Disconnect the battery .

Remove :

- The engine style cover
- The protective shield under the engine

DV4TD TURBO DIESEL AND WITHOUT AIR CONDITIONING

Remove the flexible ancillary drive belt ⓘ .

DV4TD TURBO DIESEL AND SINGLE AIR CONDITIONING OR DV4TD TURBO DIESEL AND AUTOMATIC AIR CONDITIONING

Remove the flexible ancillary drive belt ⓘ .

DV4TD TURBO DIESEL

Remove the ancillary drive belt ⓘ .

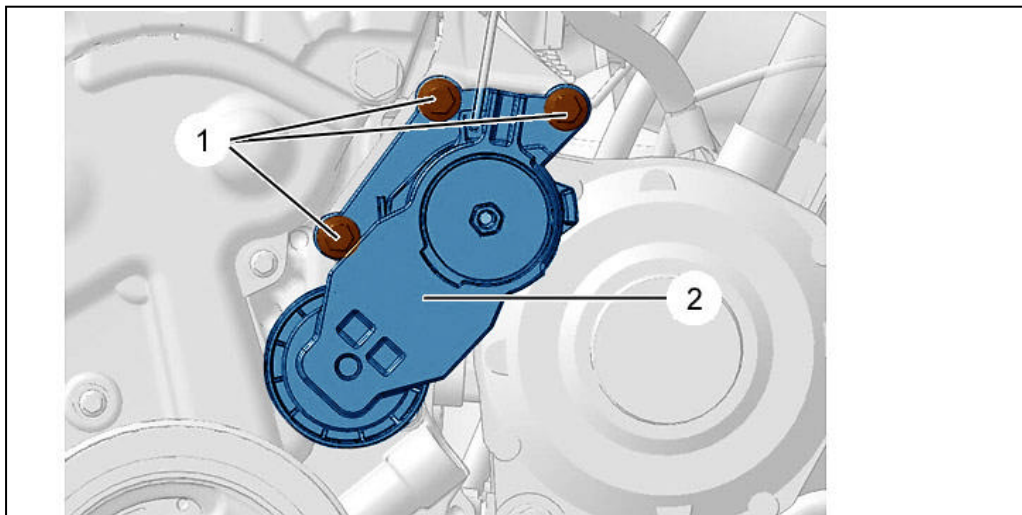


Figure : B1BPS0BD

Remove :

- The securing bolts (1)
- The dynamic tensioner roller 2

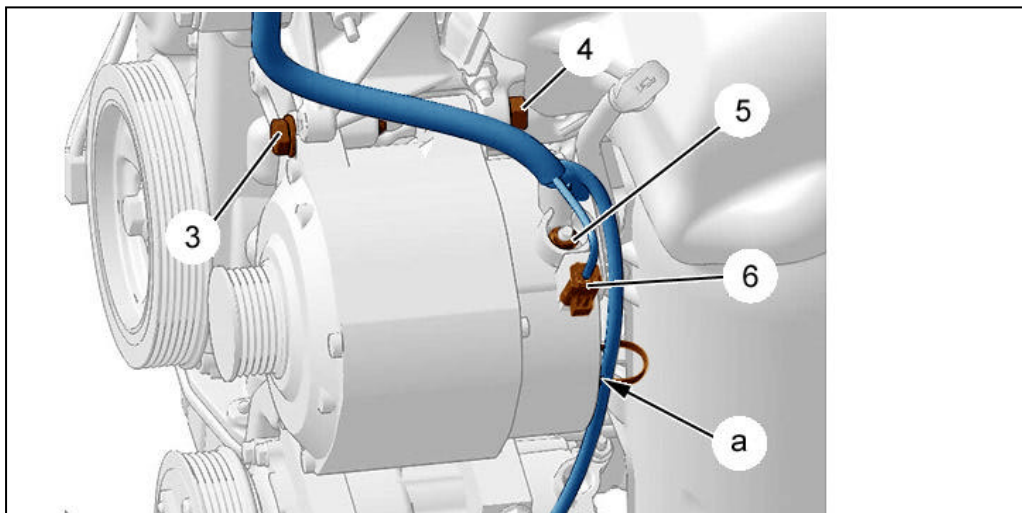


Figure : B1BPS0CD

Disconnect the connector (6) .

Disconnect and move aside the electric harness (At "a") .

Remove :

- The fixing nut blank (5)
- The securing nut (5)
- The securing bolt (3)

Slacken the fixing bolt (4) .

1.2. Vehicle with air conditioning

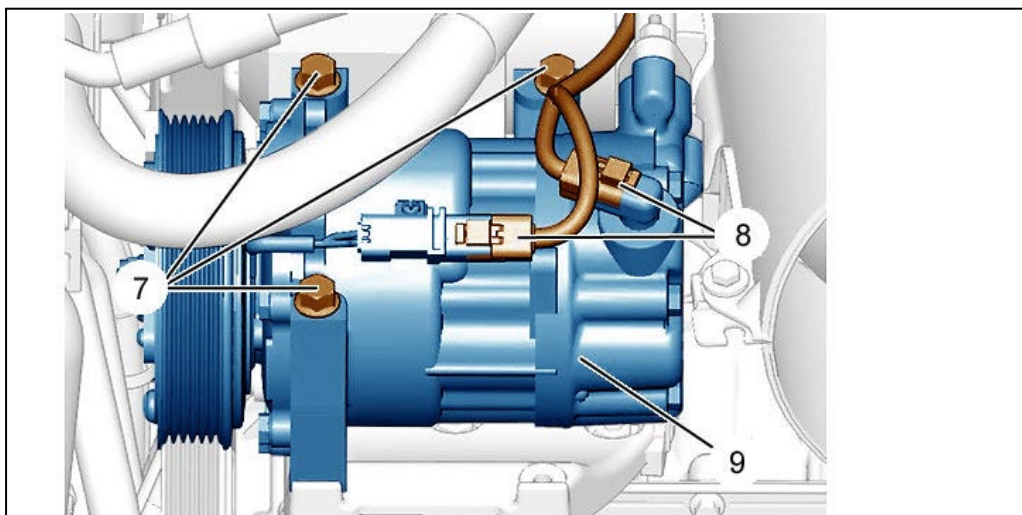


Figure : B1BPS0DD

Disconnect the connectors (8) .

Remove the fixing bolts (7) .

Without disconnecting the hoses, move aside and clamp the air conditioning compressor (9) .

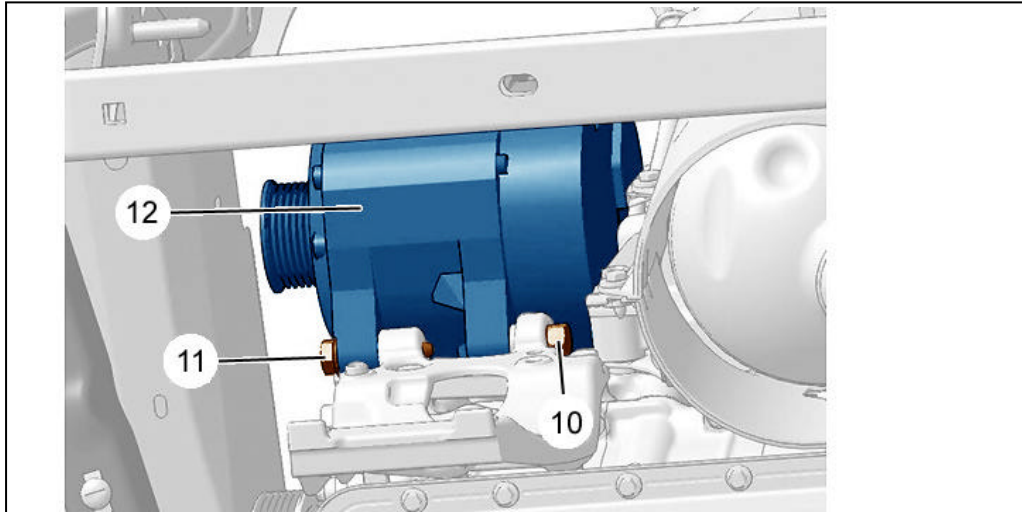


Figure : D1AP03MD

Remove the fixing bolt (11) .
 Slacken the fixing bolt (10) .
 Remove the alternator (12) .

1.3. Vehicle without air conditioning

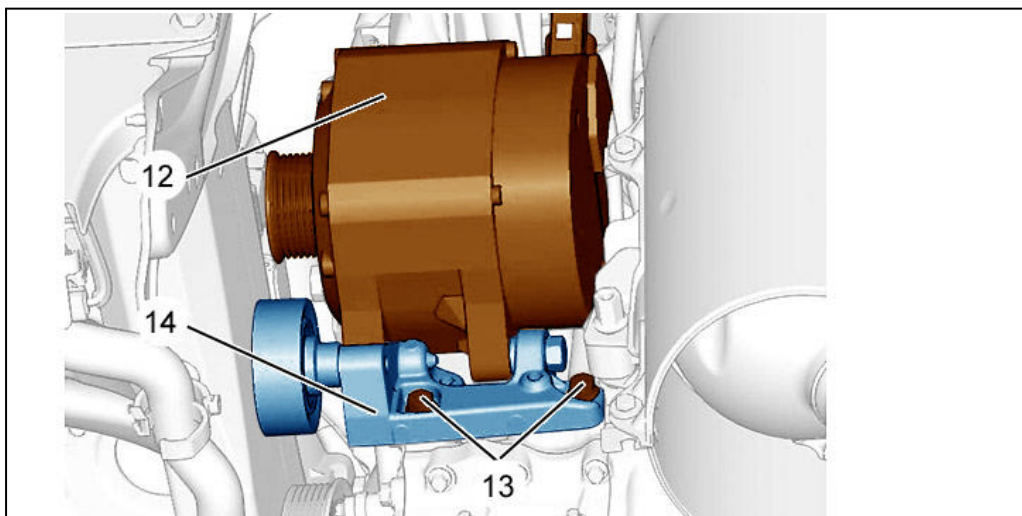


Figure : D1AP03ND

Remove :

- The securing bolts (13)
- The alternator (12) and its support (14)

Uncouple the alternator (12) .

2. Refitting

2.1. Vehicle with air conditioning

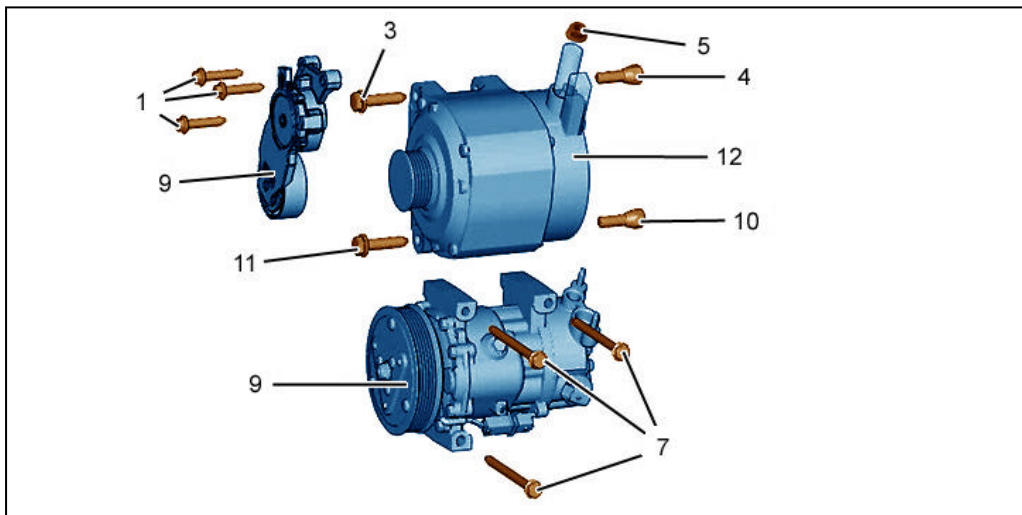


Figure : B1BPS0ED

Fit :

- The alternator (12)
- The securing bolts (3), (11) ; Tighten to $4,4 \pm 0,2$ daN.m

Tighten the fixing bolts (4), (10) to $4,9 \pm 0,2$ daN.m .

Fit :

- The air conditioning compressor (9)
- The securing bolts (7) ; Tighten to $2,4 \pm 0,6$ daN.m

Reconnect the connectors (8) .

2.2. Vehicle without air conditioning

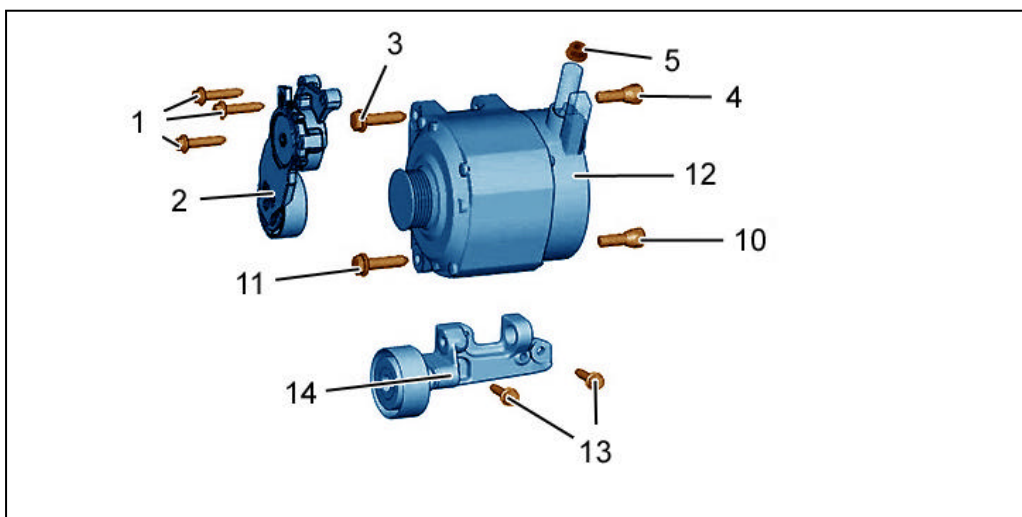


Figure : B1BPS0FD

Couple the alternator (12) to its support (14) .

Pin the 2 mounting bolts (10), (11) .

Fit :

- The alternator (12) and its support (14)
- The securing bolts (13) ; Tighten to $2,0 \pm 0,5$ daN.m

- The securing bolt (3)

Tighten :

- The fixing bolts (3), (11) to $4,4 \pm 0,2$ daN.m
- The fixing bolts (4), (10) to $4,9 \pm 0,2$ daN.m

2.3. Joint operations

Fit :

- The securing nut (5) ; Tighten to $1,6 \pm 0,2$ daN.m
- The fixing nut blank (5)

Reconnect the connector (6) .

Fix the electrical harness (At "a") .

Fit :

- The dynamic tensioner roller 2
- The securing bolts (1) ; Tighten to $2,0 \pm 0,5$ daN.m

DV4TD TURBO DIESEL AND WITHOUT AIR CONDITIONING

Refit the flexible ancillary drive belt ⓘ .

DV4TD TURBO DIESEL AND SINGLE AIR CONDITIONING OR DV4TD TURBO DIESEL AND AUTOMATIC AIR CONDITIONING

Refit the flexible ancillary drive belt ⓘ .

Fit :

- The protective shield under the engine
- The engine style cover

Connect the battery .